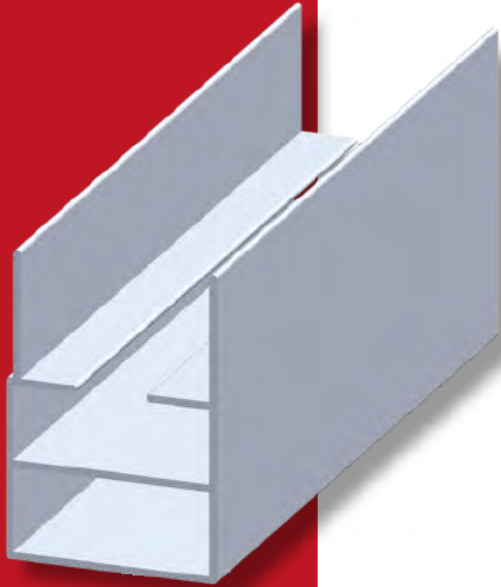
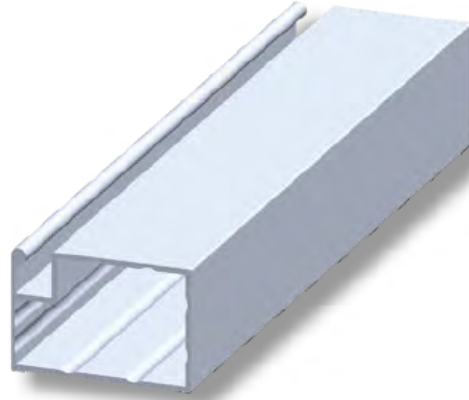
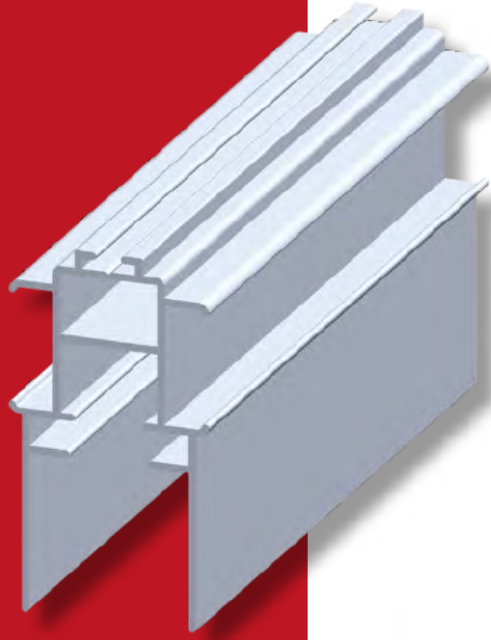
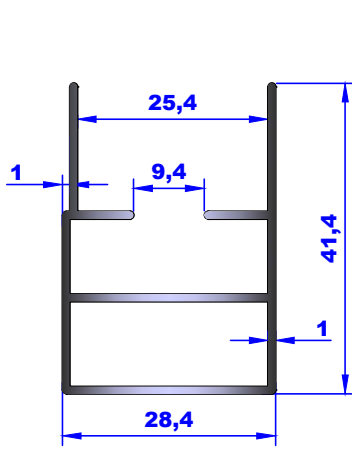


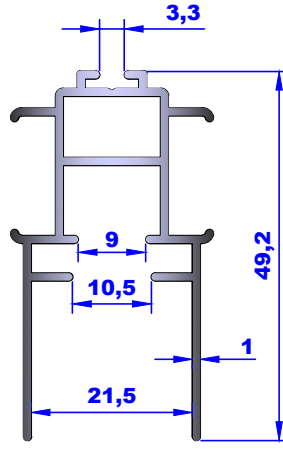


Sineklik ve Plise Sineklik Profilleri  
*Insect Screening Profiles*

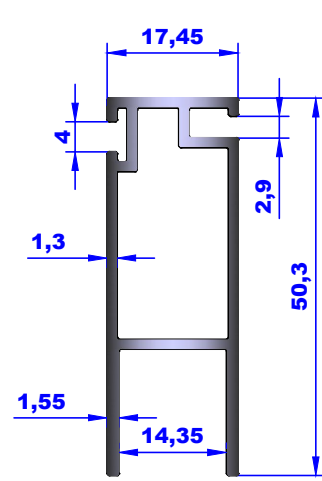




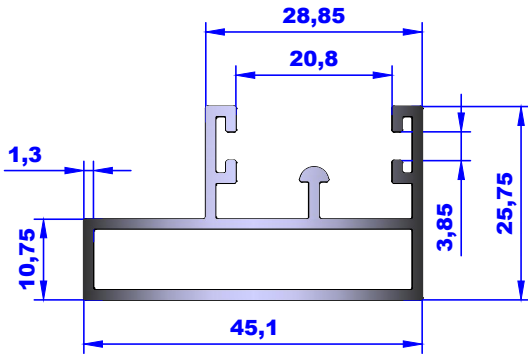
<b>PLİSE KASA PROFİLİ PLİSE FRAME PROFILE</b>	
KOD/CODE	<b>DE 1079</b>
AĞIRLIK/WEIGHT	<b>0,411kg/m</b>



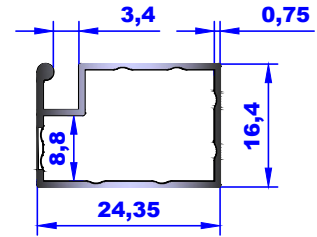
<b>PLİSE KANAT PROFİLİ PLİSE SASH PROFILE</b>	
KOD/CODE	<b>DE 1080</b>
AĞIRLIK/WEIGHT	<b>0,452kg/m</b>



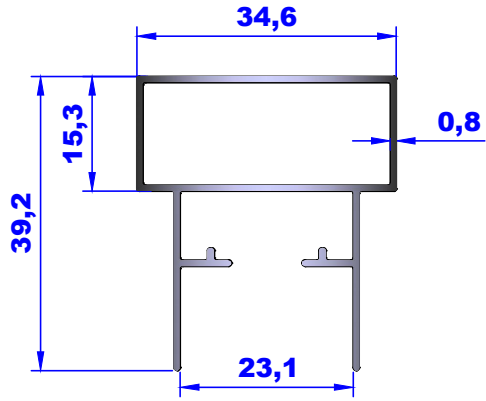
<b>SÜRME KANAT PROFİLİ SLIDING SASH PROFILE</b>	
KOD/CODE	<b>DE 1089</b>
AĞIRLIK/WEIGHT	<b>0,529kg/m</b>



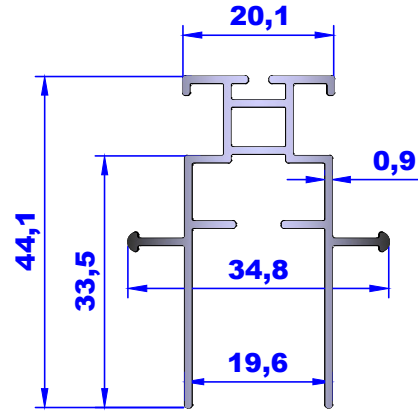
<b>SÜRME KASA PROFİLİ SLIDING FRAME PROFILE</b>	
KOD/CODE	<b>DE 1088</b>
AĞIRLIK/WEIGHT	<b>0,579kg/m</b>



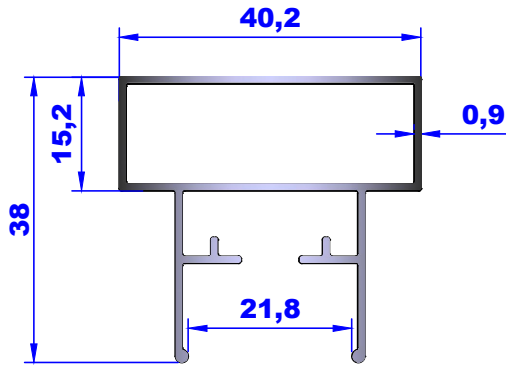
<b>17X25 SİNEKLİK PROFİLİ 17X25 FLYSCREEN PROFILE</b>	
KOD/CODE	<b>DE 1076</b>
AĞIRLIK/WEIGHT	<b>0,169kg/m</b>



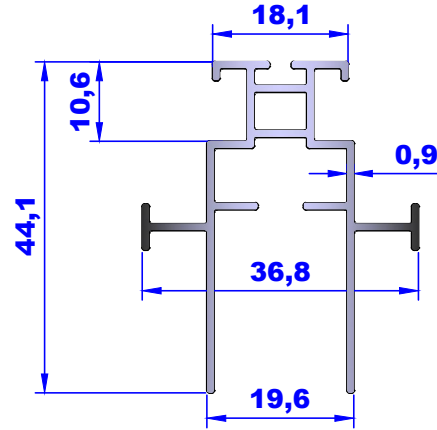
<b>PLİSE KASA PROFİLİ</b> <b>PLİSE FRAME PROFILE</b>	
KOD/CODE	<b>DE 1330</b>
AĞIRLIK/WEIGHT	<b>0,349kg/m</b>



<b>PLİSE KANAT PROFİLİ</b> <b>PLİSE SASH PROFILE</b>	
KOD/CODE	<b>DE 1343</b>
AĞIRLIK/WEIGHT	<b>0,395kg/m</b>



<b>PLİSE KASA PROFİLİ</b> <b>PLİSE FRAME PROFILE</b>	
KOD/CODE	<b>DE 1344</b>
AĞIRLIK/WEIGHT	<b>0,428kg/m</b>



<b>PLİSE KANAT PROFİLİ</b> <b>PLİSE SASH PROFILE</b>	
KOD/CODE	<b>DE 1331</b>
AĞIRLIK/WEIGHT	<b>0,411kg/m</b>